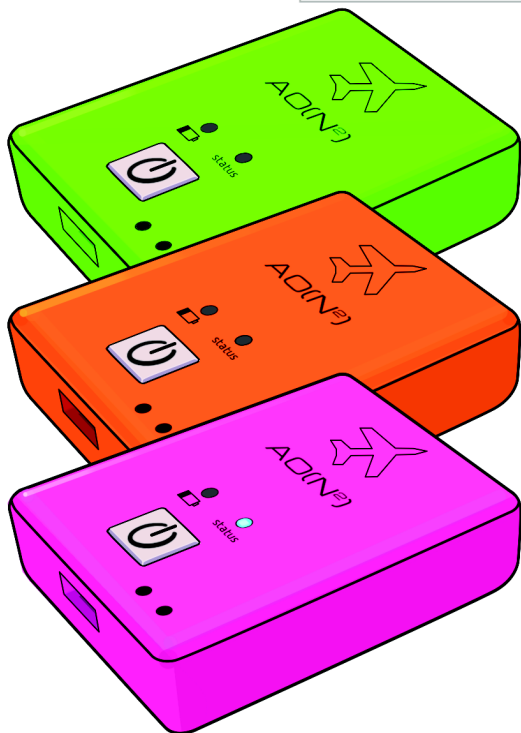


AO(N²)



Brilliant Pebbles

User Manual



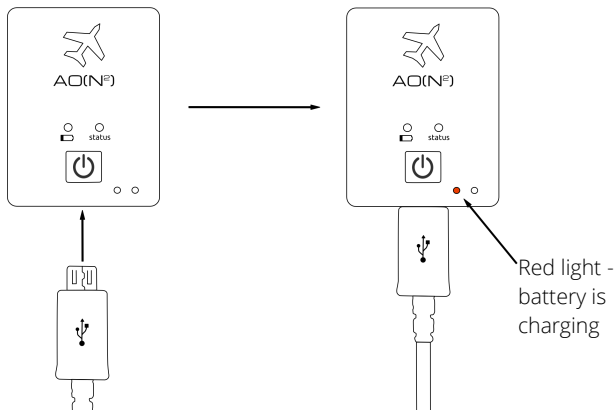
This page intentionally left blank

Table of Contents

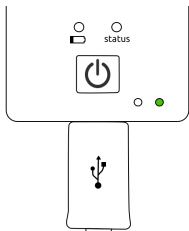
Getting Started.....	4
Default Settings.....	5
Getting the Software.....	6
Using the Audible.....	7
Manual Power Off.....	8
Altimeter Modes.....	9
Standby Mode.....	9
Jump Mode.....	9
USB Mode.....	9
Using the USB OTG adapter for Android devices.....	10
Audible Placement.....	11
Frequently Asked Questions.....	12
Warranty and Support Information.....	13
Technical Specifications.....	14
CE Declaration of Conformity.....	15

Getting Started

Before you use the audible, please plug it in to a USB charger for at least 1 hour. A red light will indicate that the battery is charging:



A green light will go on when the battery charging is complete:



If BOTH red and green LEDs are on when plugged in, this indicates a charging fault. Please contact support.

Default Settings

The audible is programmed at the factory to the following default altitudes:

Altitude	Tone	Duration
5500 feet (1676 metres)	1	3 seconds
4000 feet (1219 metres)	3	3 seconds
2000 feet (610 metres)	1	1 second
1000 feet (305 metres)	1	0.5 seconds

If this works for you, then you can simply turn the device on and start jumping!

Additional information on the device, including this manual, is available at the website: www.aon2.co.uk

Getting the Software

The AO(N²) Brilliant Pebbles app is available on 3 platforms:

Laptops or desktops:

- Windows 7 or newer, 64-bit
- OSX 10.9 (Mountain Lion) or newer

Phones or tablets with access to Google Play Store:

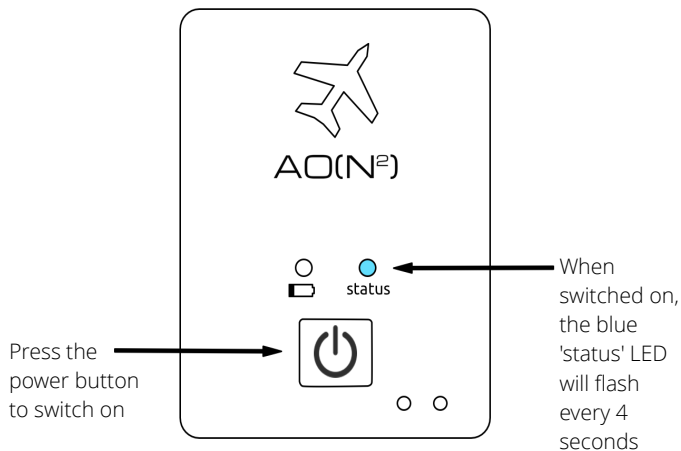
- Android 4.0 (KitKat) or newer

Using your platform, navigate to: www.aon2.co.uk/downloads and select your preferred version:

The screenshot shows the AO(N²) website's navigation and content. At the top left is the AO(N²) logo. To the right are social media icons for Facebook and Twitter. A blue navigation bar contains the following links: HOME, ABOUT AON2, PRODUCTS, EVENTS, DOWNLOADS (highlighted), INVESTORS, BLOG, and CONTACT US. Below the navigation bar, the page is divided into two main sections. On the left is a 'NAVIGATION' sidebar with links for 'About Us', 'Shopping cart', and 'Products'. Below that is a 'SEARCH' section with a search input field and a 'Search' button. The main content area is titled 'Downloads' and contains the following text: 'Get the AON2 FlightLine App!', 'The current version is 1.0.', and 'Please select your platform below.' Below this text are three platform selection buttons: 'Mac' (OSX 10.9+, 64 bit), 'Windows' (7+, 64-bit MSI), and 'Android' (4.0+ (ICS)). At the bottom of the main content area, there is a paragraph: 'The app will enable you to adjust the settings on your altimeter and also update the firmware. An internet connection is also needed to download firmware or app updates.'

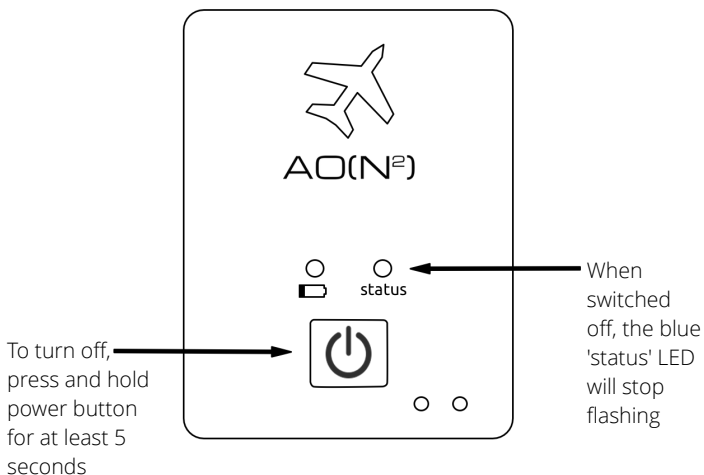
Using the Audible

Brilliant Pebbles is intended to be an easy to use device. Simply turn it on before starting jumping, and it will automatically turn itself off after 16 hours of operation. To switch on, press the power button. The blue 'status' LED will flash every 4 seconds to indicate that the device is switched on:



Manual Power Off

To turn off the audible manually, please press and hold the power button for at least 5 seconds, until the beeping sound stops and the blue status LED stops flashing.



Altimeter Modes

Standby Mode

The audible automatically sets its altitude to 0 when switched on, and continuously calibrates itself throughout the day. Standby mode is indicated by the status light blinking once every 4 seconds.

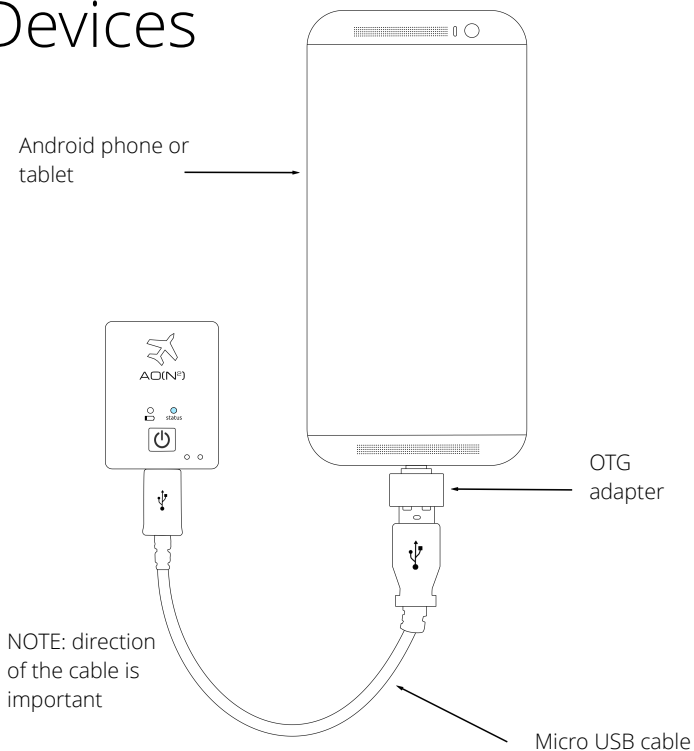
Jump Mode

When it detects a climb rate of at least 300 feet per minute (1.52 metres per second) the audible will switch to JUMP MODE. This is indicated by a short beep followed by rapid flashing of the 'status' LED. During the climb to altitude, the audible will emit a short beep at each altitude that has been set by the user.

USB Mode

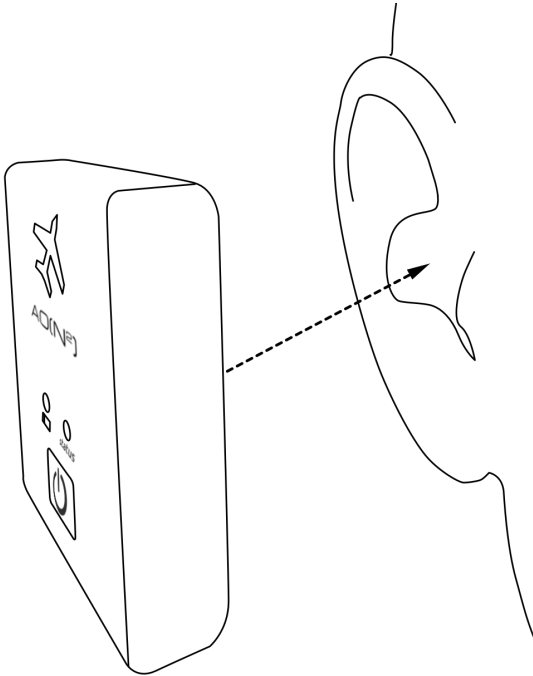
When plugged in to a computer or smartphone, the blue status light turns ON when a data USB connection is detected.

Using the USB OTG Adapter for Android Devices



Audible Placement

The audible should be placed in your helmet with the logo side facing outwards and the hole pointing towards your ear.



Frequently Asked Questions


"When I convert between feet to metres and back, the altitudes are off by 1 or 2 feet – is this normal?"

The altimeter works internally in metres. When the user enters their alarm values in feet, these are converted to metres and rounded off to the nearest metre. When the altimeter is plugged back in, these metre values are then displayed as feet. These small rounding errors cause the conversions not to be exact, and is normal behaviour.

"Does the audible have separate freefall and canopy modes?"

At the time of writing of this manual, descent rate is not detected by the release version of the firmware. Alarms will be triggered at the set altitude, no matter what speed the wearer is going at.

"I changed the altitudes on the app, why does it still beep on the old settings?"

Please make sure you click "Upload" or click the "  " icon in the app.

Warranty and Support Information

If within 12 months of the purchase of your instrument, a defect or damage is identified by faulty manufacture, AON2 will repair the unit at no cost to the end user.

The warranty becomes void if damage is caused by external circumstances or if the device has been serviced or repaired by unauthorised third parties.

This unit is not waterproof. Please do not immerse in water.

NOTICE:

AON2 Ltd. nor its agents, employees, owners, field representatives, or dealers accept any responsibility for any loss, injury or death while using our products. The user of our products accepts the risks involved in skydiving as being inherently dangerous and that sometimes skydiving can cause injury or even death.

Please email support@aon2.co.uk and send units to repair to:

AON2 Ltd.
68 Wood Mead
Bristol, BS16 1GQ
UK

Technical Specifications

- operating altitude: -1500 to 30,000ft (-500m to 11000m)
- pressure sensor precision: $\pm 1\text{m}$ ($\pm 3.3\text{ ft}$)
- battery life: approximately 2 months, rechargeable lithium
 - automatic power-off (AAD-like operation): 16 hours
 - USB charging
- weight: 21 grams
- dimensions: 45x34.6x13.5mm
- up to 20 different alarms
- feet or metres setting
- PC/Mac/Android interface
- basic jump counter (beta)
- automatic notification of app and firmware updates over the internet

CE Declaration of Conformity

Manufacturer: AON2 LTD.
68 Wood Mead, Stoke Gifford, Bristol BS16 1GQ,
United Kingdom
Telephone: +447815598568

Product: Brilliant Pebbles Audible Skydiving
Altimeter
Model Number: Brilliant-Pebbles-001

AON2 LTD, registered in England as company number
09436751, hereby declares that the above-referenced
product, to which this declaration relates, is in
conformity with the provisions of:

2001/95/EC General Product Safety Directive

2004/108/EC The Electromagnetic Compatibility
Directive

- 2010/BS EN 55022 Radiated Emissions - Class B
- 2010/BS EN 55024 Electrostatic Discharge -
Performance criteria B
- 2010/BS EN 55024 Immunity from Radiated
Fields

2011/65/EU Restriction on Hazardous Substances

AON2 LTD.
29/03/2017



Made in the U.K.

